

REVISIONS	BY

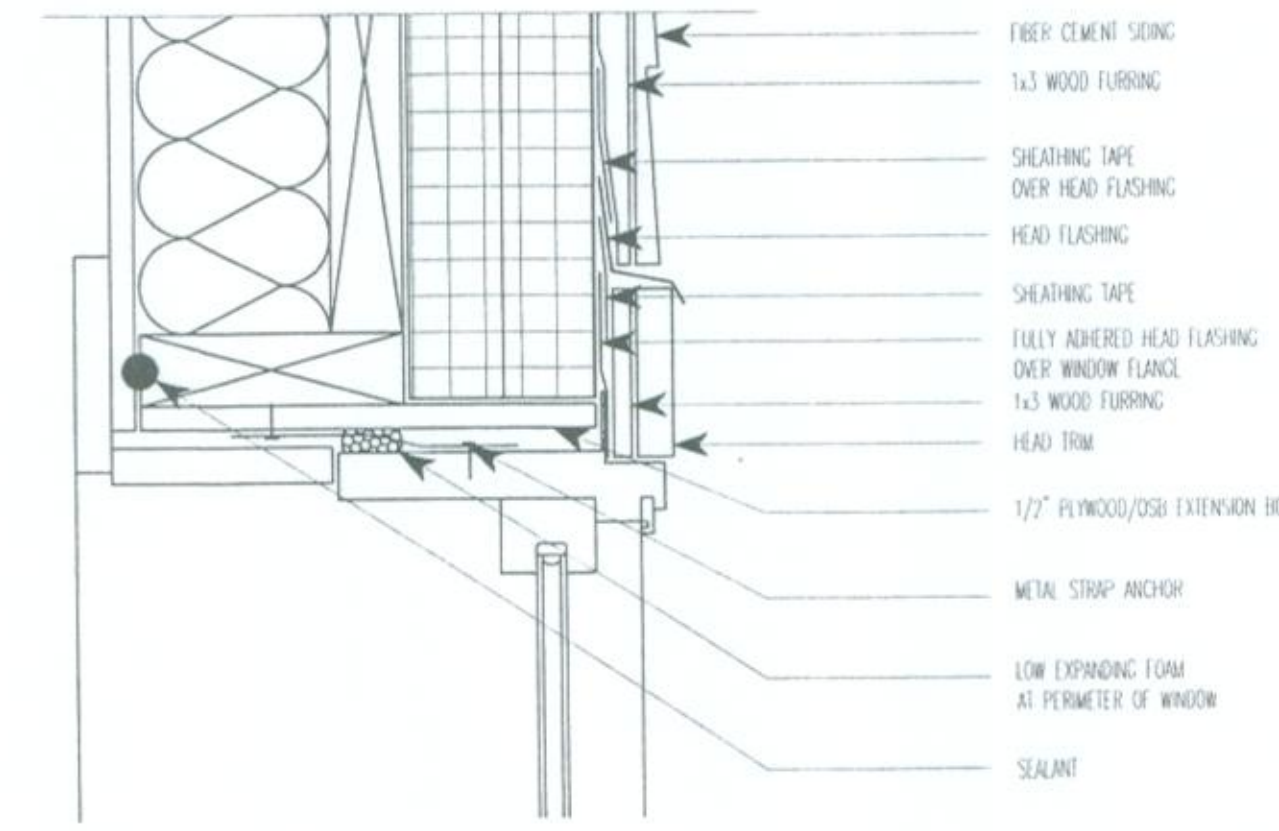
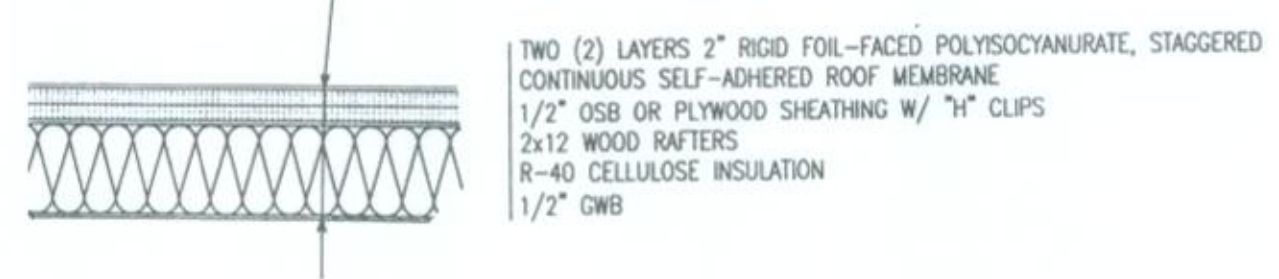
EXISTING ROOF

ALL WINDOWS, GRILLS AND DESIGN ELEMENTS TO MATCH EXISTING TO MAINTAIN AND PRESERVE THE DESIGN

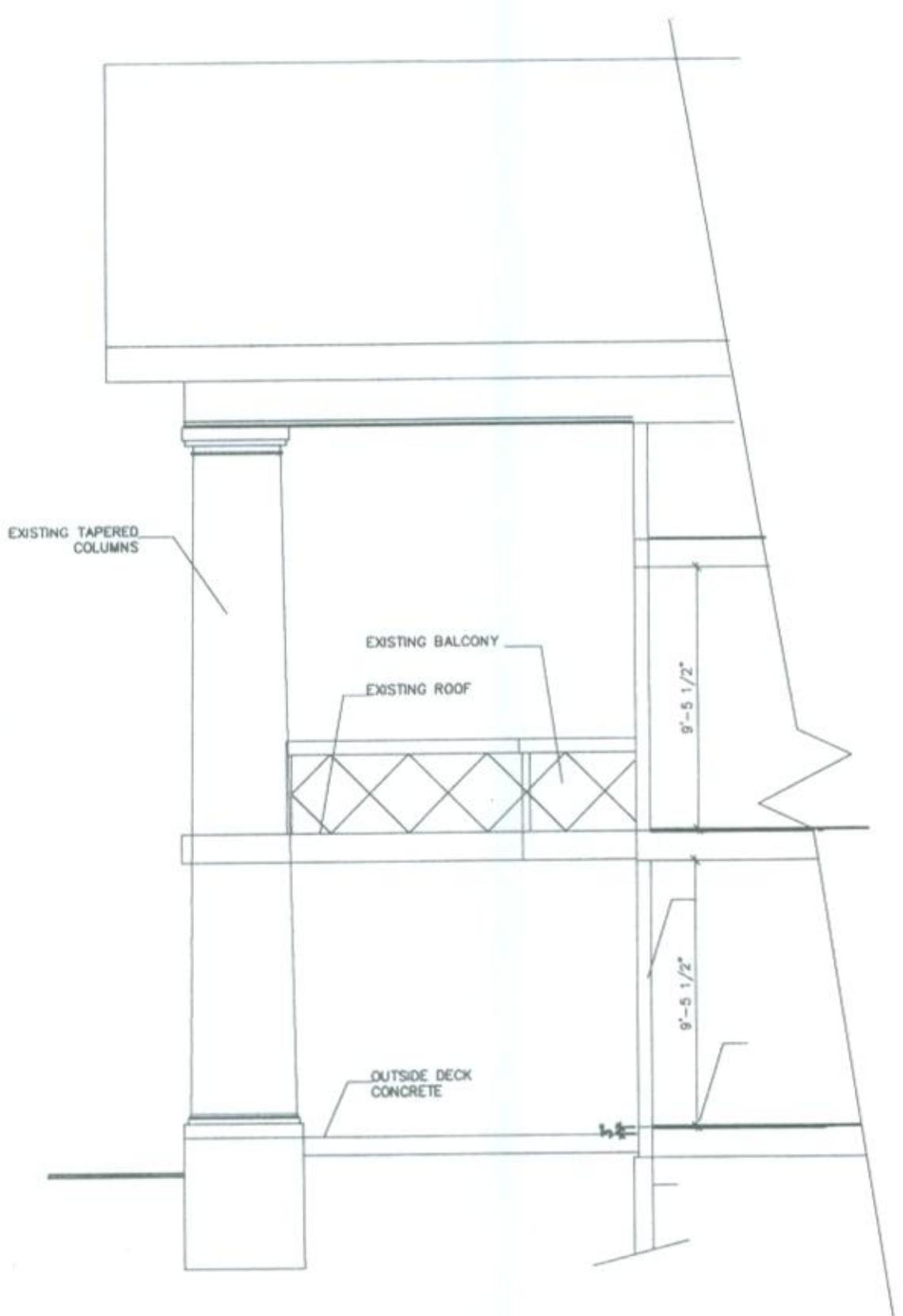
RE-USE EXISTING DOOR, SIDELITES AND TRANSOM.



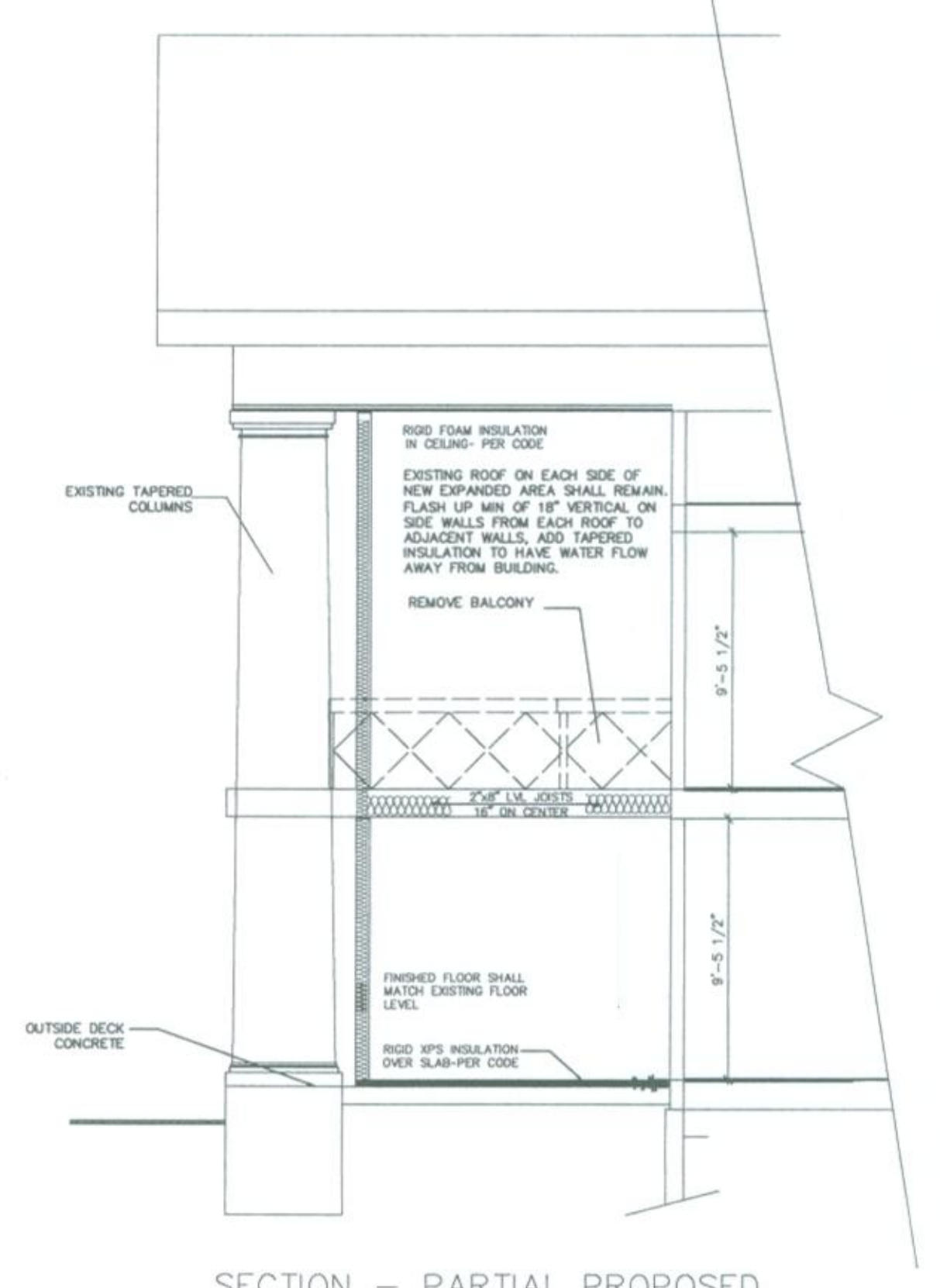
PARTIAL REAR ELEVATION-PROPOSED
SCALE 1/8" = 1'-0"



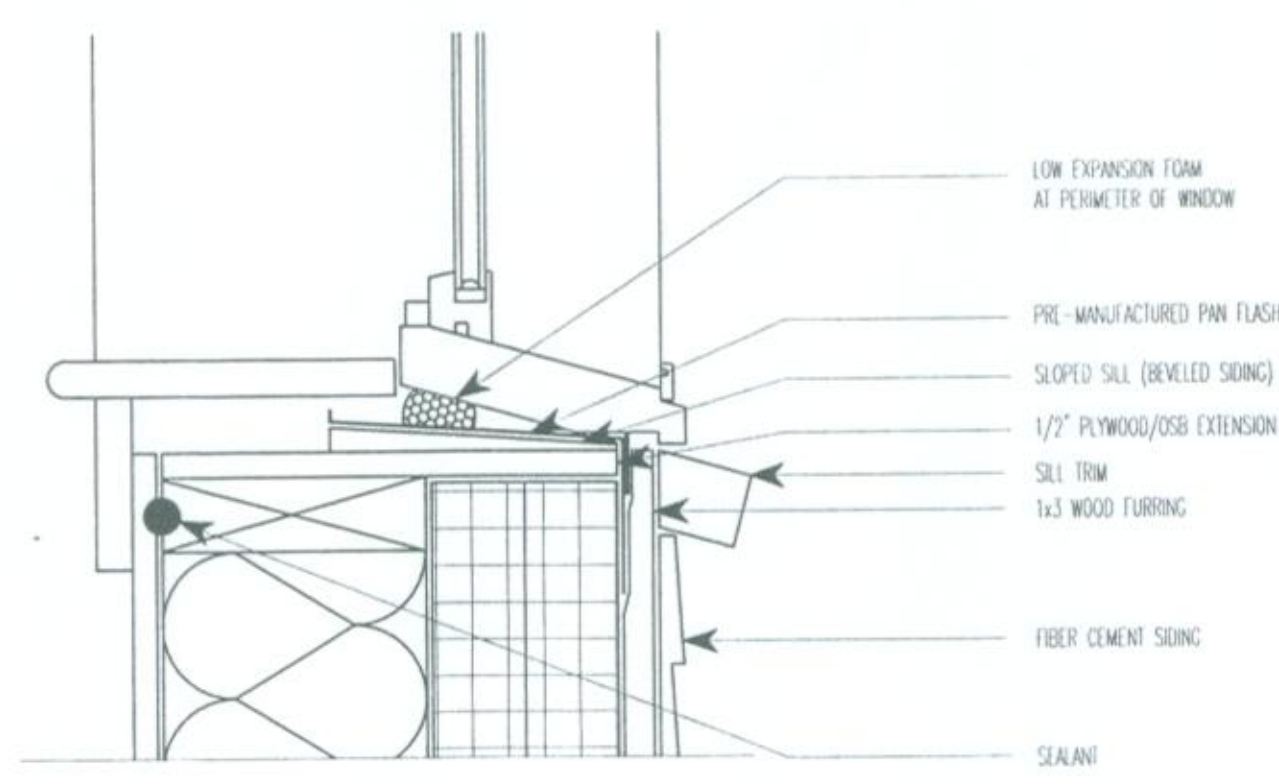
WINDOW HEAD DETAIL
SCALE 3" = 1'-0"



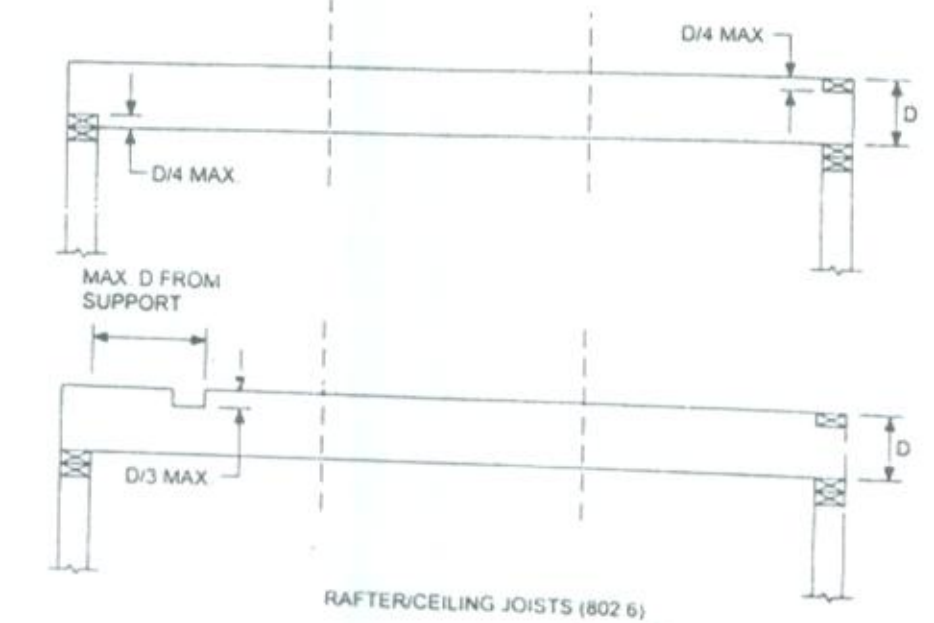
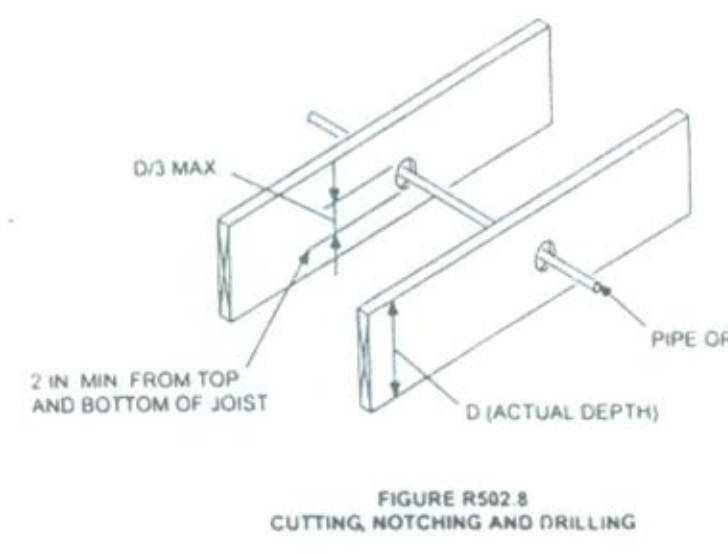
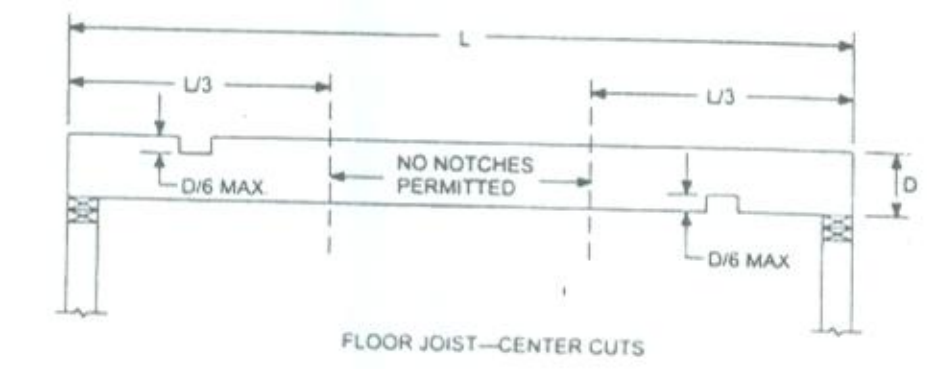
SECTION - PARTIAL EXISTING
SCALE N.T.S.



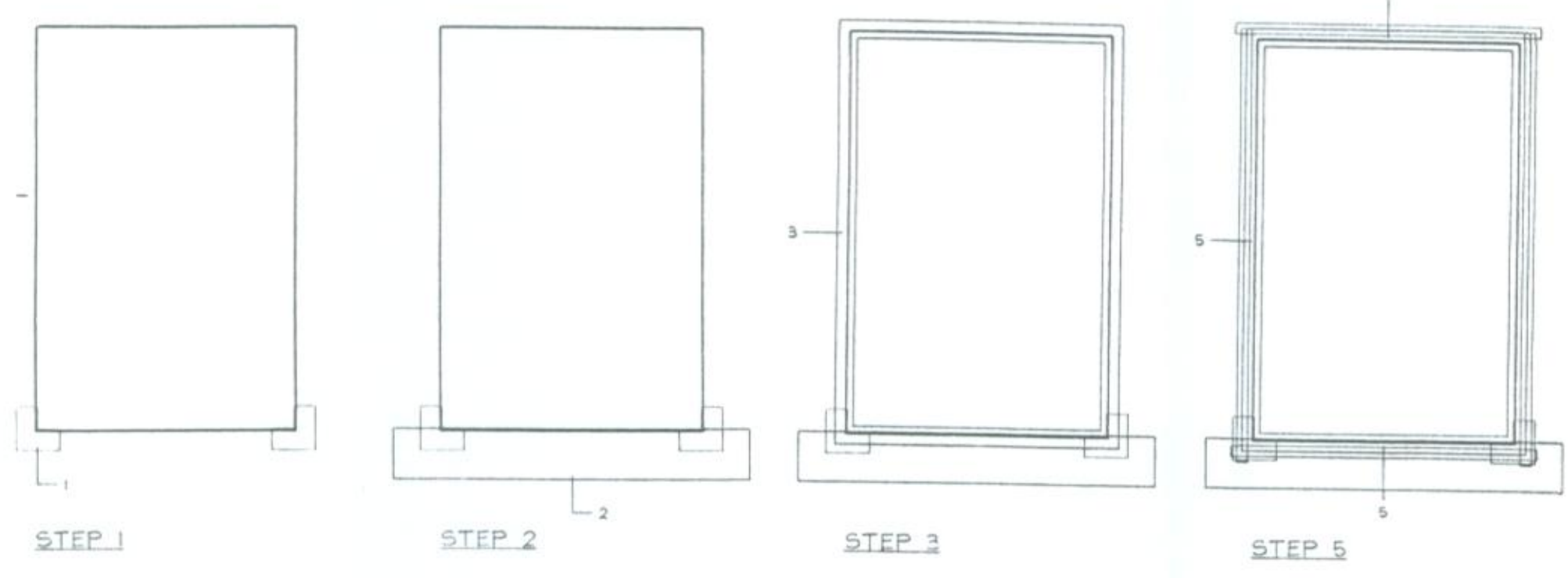
SECTION - PARTIAL PROPOSED
SCALE N.T.S.



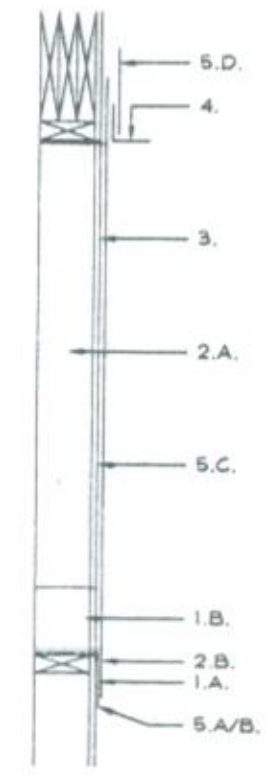
WINDOW SILL DETAIL
SCALE 3" = 1'-0"



PARTIAL REAR ELEVATION-EXISTING
SCALE N.T.S. = 1'-0"



DETAILS AT WINDOW FLASHING
SCALE N.T.S.



SECTION
SCALE N.T.S.

1. A. INSTALL MEMBRANE CORNER PATCHES
B. FOLD ENDS AT JAMBS
C. ENSURE MEMBRANE EXTENDS TO FULL CAPACITY ON EXTERIOR FACE OF WALL
 2. A. INSTALL ADHESIVE MEMBRANE STRIP AT WINDOW SILL
B. LAP SILL MEMBRANE OVER CORNER PATCH MEMBRANE
C. ENSURE MEMBRANE EXTENDS MINIMUM OF 6" BEYOND SILL ON EXTERIOR FACE OF WALL
 3. A. ENSURE A CONTINUOUS BEAD OF SEALANT IS APPLIED TO BACK SIDE OF NAILING FLANGE OF WINDOW ON EXTERIOR FACE OF WALL
B. INSTALL WINDOW ACCORDING TO MANUFACTURER'S SPECIFICATIONS
 4. A. INSTALL HEAD FLASHING
B. ENSURE HEAD FLASHING IS AT LEAST AS WIDE AS WINDOW UNIT
 5. A. INSTALL ADHESIVE MEMBRANE STRIP OVER WINDOW FLANGE AND EXTERIOR FACE OF WALL IN THE FOLLOWING ORDER:
a. INSTALL ADHESIVE MEMBRANE OVER BOTTOM WINDOW FLANGE AND EXTERIOR FACE OF WALL
b. INSTALL ADHESIVE MEMBRANE OVER WINDOW JAMB FLANGE AND EXTERIOR FACE OF WALL
c. INSTALL ADHESIVE MEMBRANE HEAD FLASHING, JAMB MEMBRANE AND EXTERIOR FACE OF WALL
- GENERAL NOTES:
A. ENSURE ALL SURFACES TO RECEIVE MEMBRANE FLASHING ARE CLEAN AND DRY
B. ENSURE MEMBRANE IS WELL SEATED AGAINST EXTERIOR SHEATHING - EXERCISE CARE SO AS TO REDUCE ANY UNNEEDED WRINKLES IN APPLIED MEMBRANES

THE BRIARCLIFF MANOR - ALTERATION/ADDITION
25 STUDIO HILL ROAD
BRIARCLIFF MANOR, NY

HESS ARCHITECTS - LEED AP
845-358-1486
254 SICKLETOWN ROAD
WEST NYACK, NY



DRAWN
PW/BH
CHECKED
BH
DATE
12 OCT 2017
SCALE
AS SHOWN
JOB NO.
17-138
SHEET